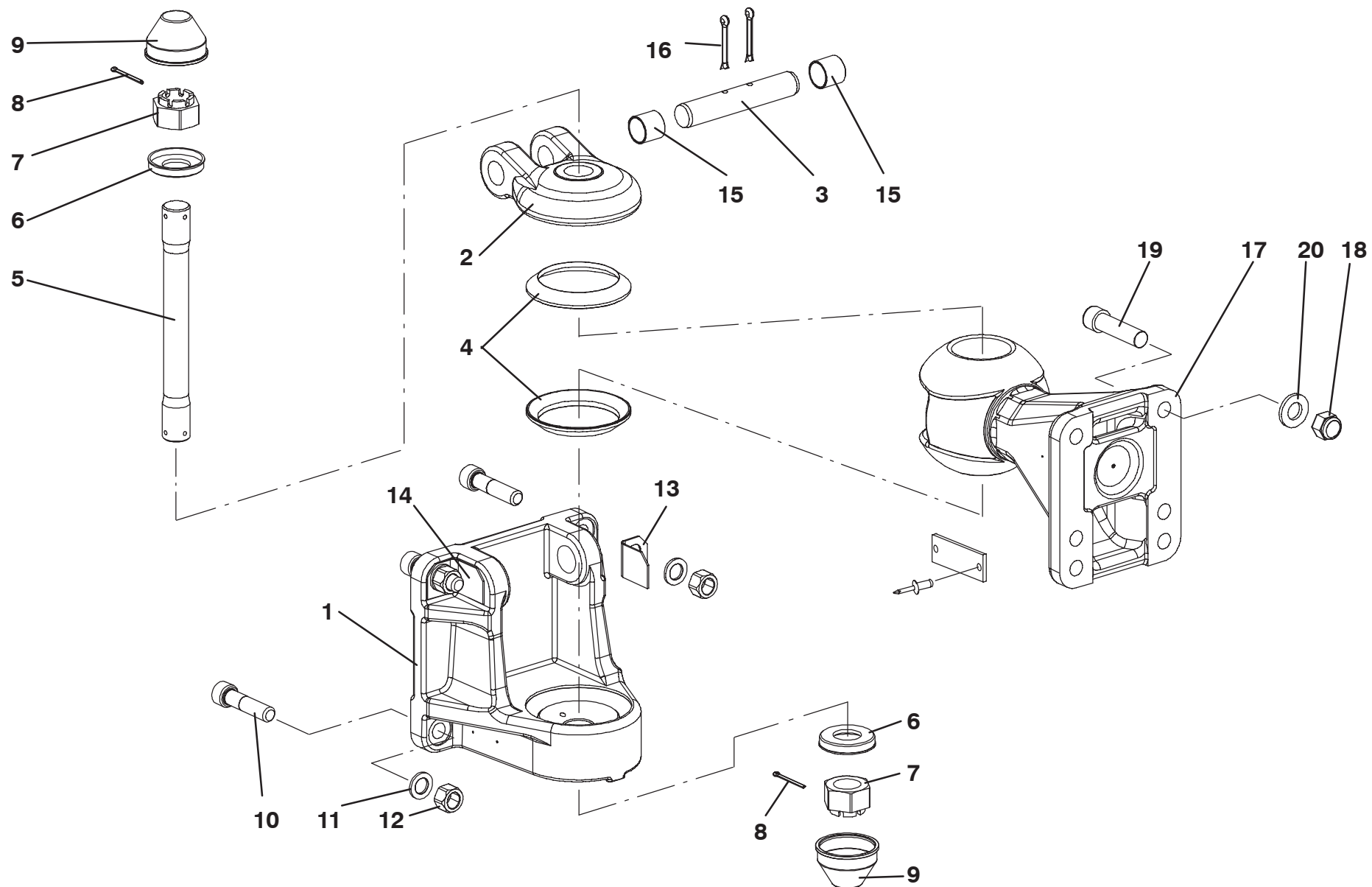


ID. N°: F00210165H / F00195308F

Date : 08 / 01

SERIAL N°:

1 / 2





D00005734

**CROCHET A BOULE STANDARD
STANDARD BALL COUPLING HOOK**

02.05.01.01

ID. N°: F00210165H / F00195308F

Date : 08 / 01

SERIAL N°:

2 / 2

Pos	Qté	Référence	Description
–	1	F00210166	ENS. CROCHET BOULE STD MOUNTING, BALL COUPLING HOOK
1	1	F00210230	SUPPORT CROCHET A BOULE SUPPORT
2	1	F00210231	CLAPET CROCHET A BOULE CLACK VALVE
3	1	157114100	AXE CROCHET BOULE D35X200 PR CLACK VALVE AXLE
4	2	F00210232	PATIN CROCHET A BOULE GUIDING, PAD
5	1	F00229940	AXE ARTICULAT CROCHET BOULE PR PRD HINGE AXLE
6	2	F00231073	RONDELLE APPUI PR PRD THRUST WASHER
7	2	A03080814	ECROU HK 39X3 DACRO320 GRADE B NUT, HK
8	2	A03100212	GOUPILLE V 5X71–ST ZN PIN, V
9	2	A09070350	CAPUCHON PROTECTIO ECROU CAP, PROTECTIVE NUT
10	4	A03030901	VIS CHC M22X1,50–90/56 10.9 ZB SCREW, CHC
11	4	A03070113	RONDELLE Z 22U AC/HR ZN WASHER, Z
12	4	A03081104	ECROU H FR OV M22UX1,5 CL10ZN NUT, H
13	1	F00062559	PLAQUETTE ARRET D 2,5X50X110 RIGHT, STOP PLATE
14	1	F00062558	PLAQUETTE ARRET G 2,5X50X110 LEFT, STOP PLATE
15	2	F00169983	BAGUE GUIDAGE D40/35X35 GUIDING, BUSHING
16	2	A03100232	GOUPILLE V 8X63–ST ZN PIN, V
17	1	330015111	EMBOUT FLECHE BOULE FLASQUE PR BALL ARROW END–PIECE
18	6	A03081104	ECROU H FR OV M22UX1,5 CL10ZN NUT, H
19	6	A03030901	VIS CHC M22X1,50–90/56 10.9 ZB SCREW, CHC
20	6	A03070113	RONDELLE Z 22U AC/HR ZN WASHER, Z